

10065

Lampholders

Item Description

Medium Base, One-Piece, Keyless, Incandescent, Glazed Porcelain Lampholder, Pipe Mount, Single Circuit, Back Wired, Beaded for 1-1/2 Inch Clamp-Style Shade - White



UPC Code: 07847719997

Country of Origin: China

Technical Information

Electrical Specifications

Circuit: Single Circuit
Wattage Rating: 660W
Voltage: 250 Volt

Standards and Certifications

UL Listed: File E3810
CSA Certified: File LR-1863
NOM Certified: 057

Material Specifications

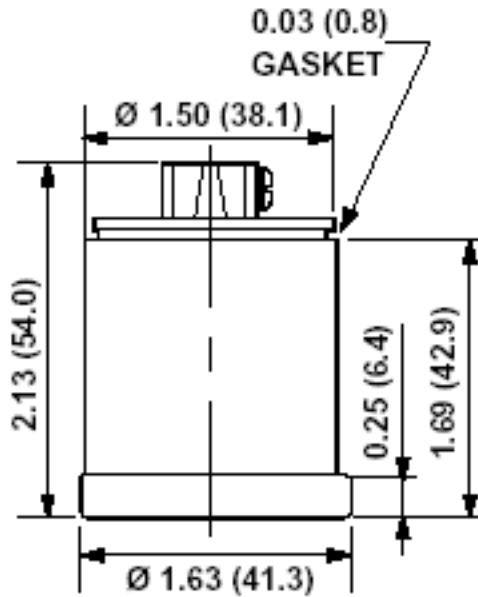
Cap Material: Die Cast
Color: White
Availability: Distribution

Mechanical Specifications

Access: Back Wired

Product Features

Lamp Socket Base: Medium
Construction: One-Piece
Mounting Type: Pipe Mount
Circuit: Single Circuit
Access: Back Wired
Termination: 2-Terminal Screws
Feature: Beaded for 1-1/2 Inch Clamp-Style Shade
Mounting Type: 1/8-27 Cap
Screw Shell Material: Nickel-Plated Copper Alloy
Body Material: Glazed Porcelain
Standards and Certifications: UL/CSA/NOM
Warranty: 1 Year Limited
Availability: Distribution



SPECIFICATION SUBMITTAL

JOB NAME: <input type="text"/>	CATALOG NUMBERS: <input type="text"/>	
JOB NUMBER: <input type="text"/>	<input type="text"/>	<input type="text"/>

Leviton Manufacturing Co., Inc.
 201 North Service Road, Melville, NY 11747
 Telephone: 1-800-323-8920 · FAX: 1-800-832-9538 · Tech Line (8:30AM-7:30PM E.S.T. Monday-Friday): 1-800-824-3005

Leviton Manufacturing of Canada, Ltd.
 165 Hymus Boulevard, Pointe Claire, Quebec H9R 1E9 · Telephone: 1-800-469-7890 ·
 FAX: 1-800-824-3005 · www.leviton.com/canada

Leviton S. de R.L. de C.V.
 Lago Tana 43, Mexico DF, Mexico CP 11290 · Tel.: (+52)55-5082-1040 · FAX: (+52)5386-1797 · www.leviton.com.mx

Visit our Website at: www.leviton.com
 © 2012-2016 Leviton Manufacturing Co., Inc. All rights reserved. Subject to change without notice.

Leviton has a global presence.
 If you would like to know where your local Leviton office is located please go to: www.leviton.com/international/contacts/

