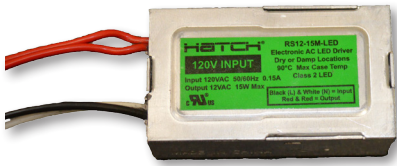
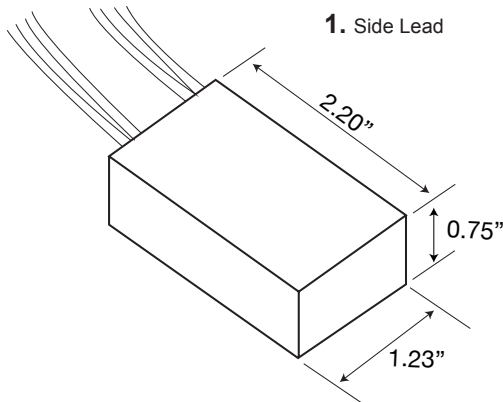


NEW RS LED SERIES

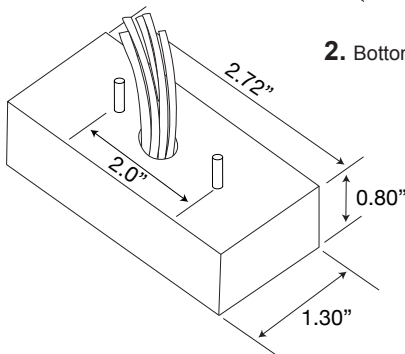


PHYSICAL DIMENSIONS

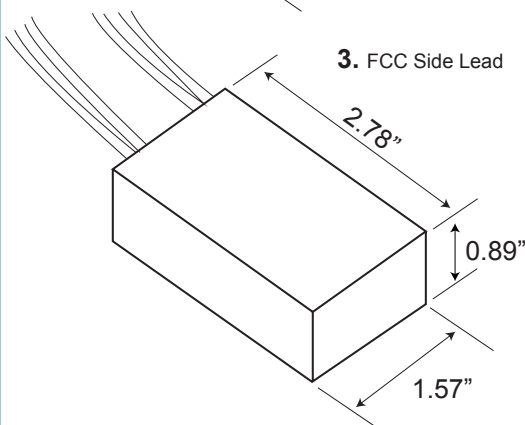
1. Side Lead



2. Bottom Lead



3. FCC Side Lead



Dimensions: +/- 0.02"

PACKING INFORMATION

Carton Quantity: 100 count
Carton Weight: 9lbs 15.2oz
Unit Weight: 2.4oz

ELECTRONIC RS LED SERIES

No Minimum Load - Full Range Dimming

SPECIFICATIONS

Input Voltage	120VAC, 230VAC, 277VAC
Input Frequency	50/60Hz
Nominal Output Voltage	12VAC
Power Factor	0.90
Ambient Temp.	-20° - +50°C
Max. Case Temp. (Tc)	90°C
Class 2	Yes (Isolated Secondary)
Dimming	Yes
Short Circuit Protection	Yes
Case Material	Aluminum

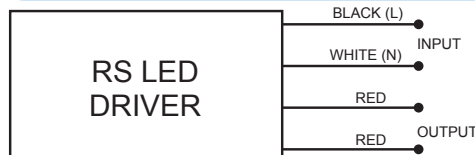
FEATURES

- 1) Suitable for use with AC LED
- 2) Suitable for use with Halogen
- 3) Broader lamp compatibility
- 4) Broader dimmer compatibility
- 5) Recommended ELV dimming
- 6) Now available in 230V & 277V
- 7) For use in dry and damp locations

REGULATORY APPROVALS

- RoHS Compliant
- UL8750 Compliant
- EMC: Meets FCC47 CFR Part 15 (Class B) consumer limits — FCC model only
- Surge: Meets NEMA SSL1-2010 Non-roadway 2.5kV

WIRING SPECIFICATIONS



Leads: 6", AWG#18 stranded, 300V, 105°C



Max Watts	Input Volts	Input Amps	Nominal Output Volts	Max Output Amps	Case Style	Hatch Part No.
15	120	0.15	12	1.30	1	RS12-15M-LED
					2	RS12-15BF-LED
	230	0.08	12	1.30	1	RS12-15M-LED-230
					2	RS12-15BF-LED-230
	277	0.07	12	1.30	1	RS12-15M-LED-277
					2	RS12-15BF-LED-277
30	120	0.30	12	2.50	1	RS12-30M-LED
					2	RS12-30BF-LED
	230	0.16	12	2.50	1	RS12-30M-LED-230
					2	RS12-30BF-LED-230
	277	0.13	12	2.50	1	RS12-30M-LED-277
					2	RS12-30BF-LED-277
60	120	0.60	12	5.00	1	RS12-60M-LED
					2	RS12-60BF-LED
	230	0.31	12	5.00	1	RS12-60M-LED-230
					2	RS12-60BF-LED-230
	277	0.26	12	5.00	1	RS12-60M-LED-277
					2	RS12-60BF-LED-277
FCC Models						
15	120	0.15	12	1.30	3	*RS12-15M-LED-FCC
30	120	0.30	12	2.50	3	*RS12-30M-LED-FCC
60	120	0.60	12	5.00	3	*RS12-60M-LED-FCC

*FCC Class B

Please refer to LED product manufacturer data sheets for compatibility with the RS LED products. Hatch does not perform compatibility and/or dimmer compatibility testing with other manufacturers LED lamp products. See lamp manufacturers listings of approval of their products with our drivers.