

### STEP DOWN TRANSFORMER

Input Voltage	277VAC - 60Hz
Output	120VAC
Enclosure Material	Aluminum
Core Type	Magnetic
Power Factor	> 0.95
Input	13", 18#AWG stranded, 105°C stripped 3/8" tinned
Output	13", 18#AWG stranded, 105°C stripped 3/8" tinned

### ENVIRONMENTAL SPECIFICATIONS:

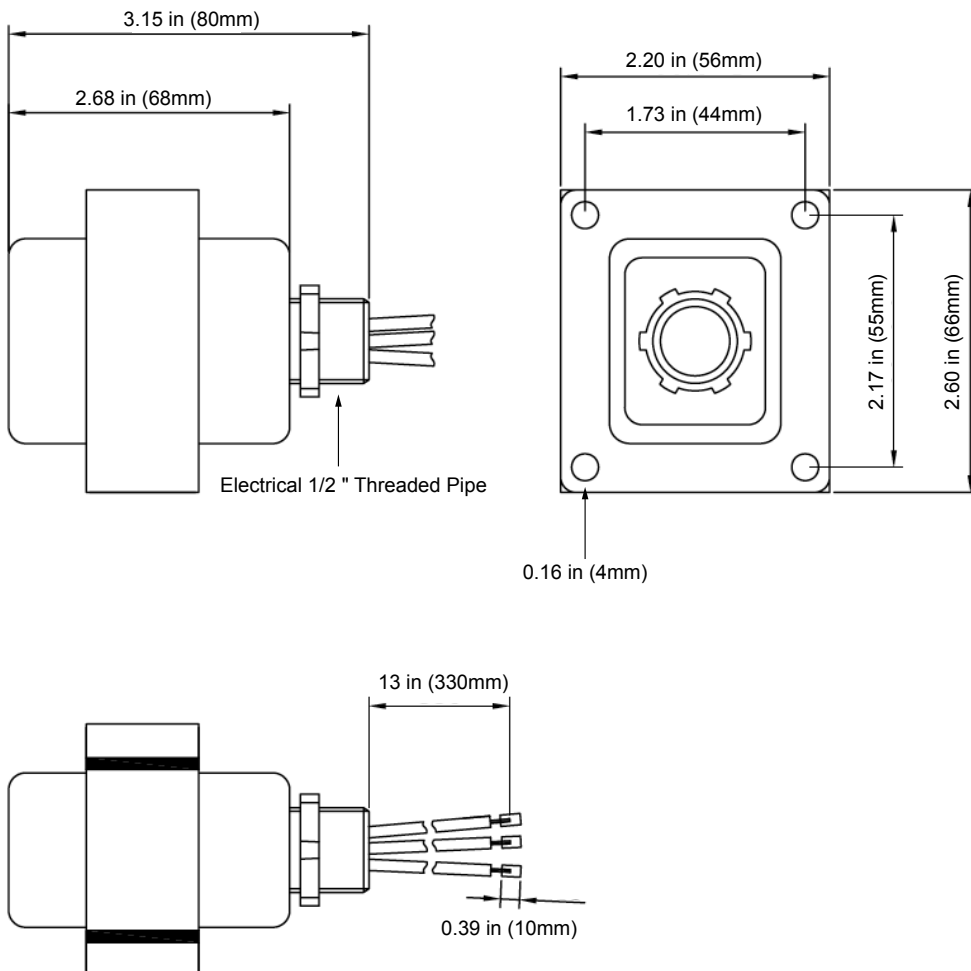
Temperature Class	Class B (130°C)
Thermal Protection	None



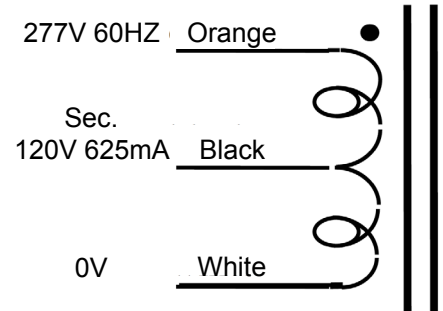
### HARDWIRE ELECTRONIC

Watts	Hatch Part Number	Input Volts	Output Volts	Safety Listing
75	LS120-75EN-277	277	120	UL/C-UL Recognized

### DIMENSIONS:



### WIRING DIAGRAM:



To Connect:  
White: Common, to be used for both voltages.

IE: 277V connect White with Orange (Input)  
120V connect White with Black (Output)