

ELECTRONIC LOW VOLTAGE TRANSFORMERS

Case Material: Polycarbonate

ELECTRICAL/M ECHANICAL SPECIFICATIONS:

Enclosure Material	UL Recognized, flame retardant, high temperature engineering resin
Color	Black or White
Weight	4 oz.
Power Factor	>.95
Operating Frequency	25kHz
Total Harmonic Distortion	≤20%
Output Lead	10' SPT-1 or SPT-2 188 AWG stripped and tinned 3/8"

ENVIRONMENTAL SPECIFICATIONS:

Maximum Case Temperature	75°C
Sound Rating	A
Operating Humidity	95% relative humidity, non-condensating
Environmental Protection	Epoxy Sealed for moisture resistance No PCBs

PRODUCT FEATURES :

- Low Harmonic Distortion
- High Power Factor
- High Reliability
- 100% Factory Tested
- Emits No Audible Noise
- UL Listed, Class 2 (up to 60 Watts)
- Electronic Short Circuit Protection
- Moisture and Shock Resistant
- Nickel-Plated Hospital Grade 120 Volt Plug

APPROVALS:

- UL Listed Class 2 for 20 & 60 watt only
- CSA Certified and C-UL Listed



Electronic Short-Circuit Protection

All hatch low-voltage transformers employ our (ESP) Electronic Short Circuit and Overload Protection. The ESP sensing circuit will instantly shut down the output before any of the components are stressed if a short circuit or overload is detected. The transformer will automatically reset as soon as the fault is corrected.

Soft Start Circuitry

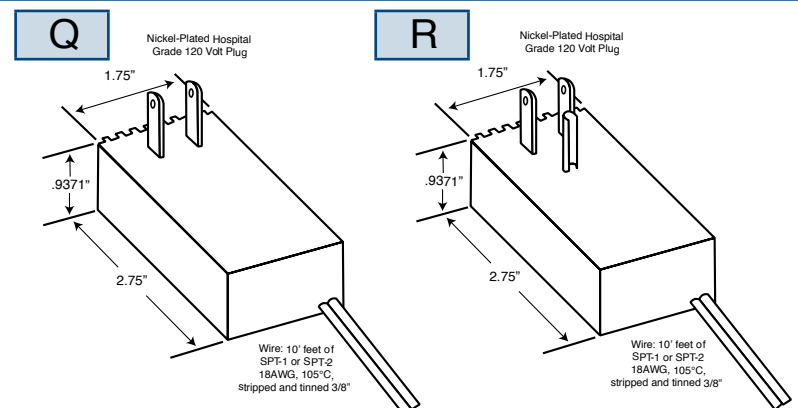
All models of Hatch low-voltage transformers utilize a soft start circuitry to maximize lamp life. The soft start circuit ramps up the lamp filament voltage slowly when the lamp is cold.

Max Watts	Min Watts	Hatch Part Number	Input Volts	Output Volts	Input Amps	Output Amps	Case Color	Case Style	Safety Listing
20	10	PS12-20LB	120	11.5	0.16	1.7	Black	Q	UL/C-UL Listed Class 2
		PS12-20LW					White	Q	
60	20	PS12-60LB	120	11.5	0.52	5.2	Black	R	UL/C-UL Listed Class 2
		PS12-60LW					White	R	
75	20	PS12-75LB	120	11.5	0.63	6.3	Black	R	UL/C-UL Listed

NOTE: It is imperative to confirm dimming control compatibility with the manufacturer and your Hatch representative.

CASE STYLE:

COLOR:



Custom output cord and connectors available. Contact Hatch for more information.