

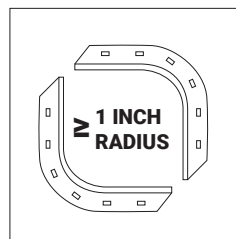
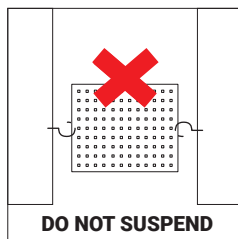
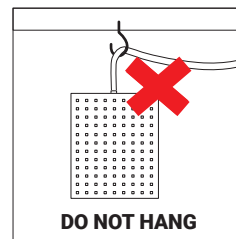
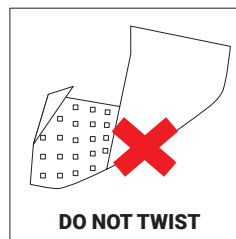
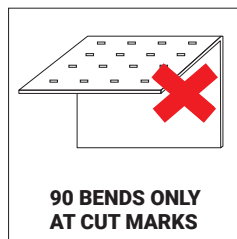
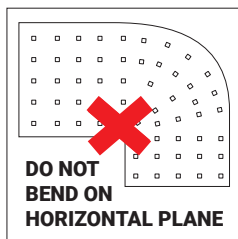
PrimaPanel™ 24V Flexible and Cuttable LED Sheet

SAFETY & TIPS

WARNING

DO NOT CONNECT 24V DC LIGHTS DIRECTLY TO 120V AC POWER.

- Light should ONLY be powered by a UL Listed Class 2 DC 24V power supply.
- ALWAYS install in accordance with local and national electrical codes.
- This product should be installed and serviced by a qualified, licensed electrician.
- Do not install the product in a location where the ambient temperature is outside the listed ambient temperature range of the product (-13° F to 158° F). Failure to do so could result in damage to the light and may alter the light's operational characteristics.
- Do not overload the 24V DC power supply. Overloading the power supply may cause shorting, overheating, and possibly fire.
- Do not stare directly into LED lights when illuminated.
- Always disconnect the power supply before cutting or connecting light.
- Apply power to test the light and connections before mounting.
- Cut the panels ONLY at the designated cut points, indicated by a black mark.
- The product should be powered by an isolated 24V DC constant voltage power supply with <5% ripple wave.
- Before permanently connecting light sections in a series, the polarity should be tested.
- Be sure to connect the positive and negative wires from the power supply to the matching poles on the light to avoid damage.
- Only 80% of the power supply's rated power should be used, in order to guarantee that sufficient voltage is available to drive the panel.
- To ensure the longevity and reliability of the light, do not excessively bend the panel in an arc.
- Do not bend at sharp angles. Maximum bend radius is 1 inch.
- Do not mount panels in different directions. All printed writing should be the right way up.



PrimaPanel™ 24V Flexible and Cuttable LED Sheet

INSTALLATION

- 1) Configure the PrimaPanel sheets to the desired layout before beginning the installation.
- 2) **Turn off the power** before beginning the installation.
- 3) Cut the PrimaPanel LED sheet to the desired length. Only cut the sheet along the cut lines, indicated by the dotted lines and scissors icon.

Note: Cutting outside of the designated areas will damage the LED light panel.

- 4) Mount the PrimaPanel sheet to the desired surface using either the adhesive backing or screws.

Mount using the adhesive on the back

Clean and dry the mounting surface. Remove backing on the adhesive. Ensure ambient temperature is a minimum of 50°F for proper adhesion.

Gently press the PrimaPanel sheet to the mounting surface. Avoid applying pressure directly to the electrical components and avoid pinching. If bending the sheet tighter than a 1" radius, only do so along the cut lines.

Mount using screws

Mount the PrimaPanel sheet using screws at **ONLY** the designated screw holes, indicated by a screw icon.

It is recommended to use pan head, domed, or round head screws. Do not overtighten screws as it may cause damage to the product.

- 5) Connect the PrimaPanel sheets to power using the on-board connectors and a 24V DC power supply.

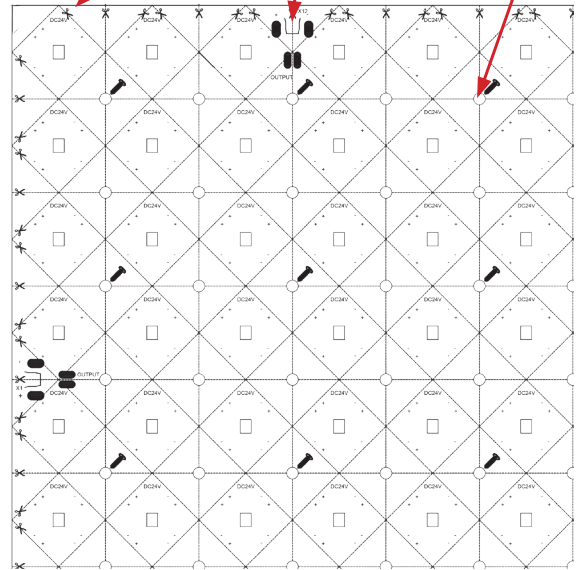
The connectors need to be inserted with the arrows up.

Note: Ensure that the polarity is correct when connecting to power. All sheets should be mounted the same direction, and all of the writing should be the right way up.

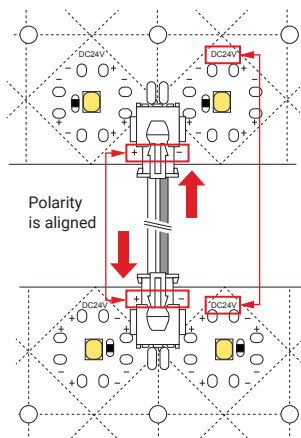
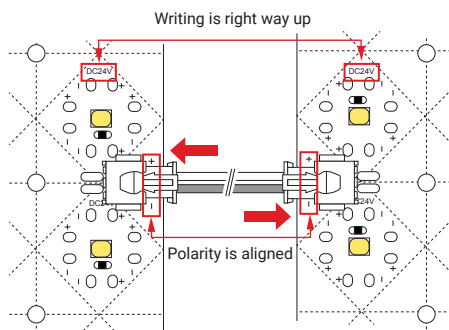
Example: On-Board Connector

Example: Cut Lines

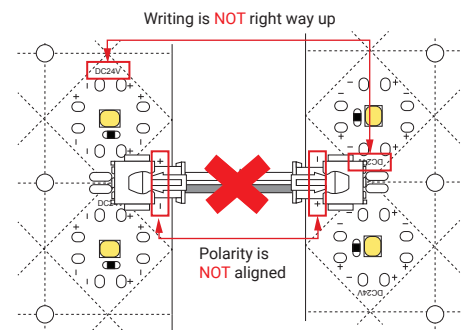
Example: Screw hole



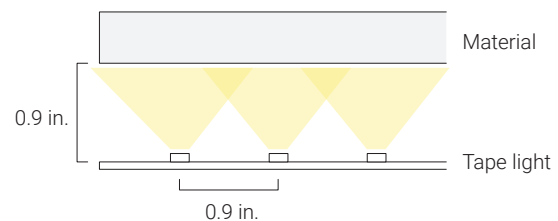
Correct Orientation (+ to +, and - to -):



Incorrect Orientation (- to + REVERSE polarity):

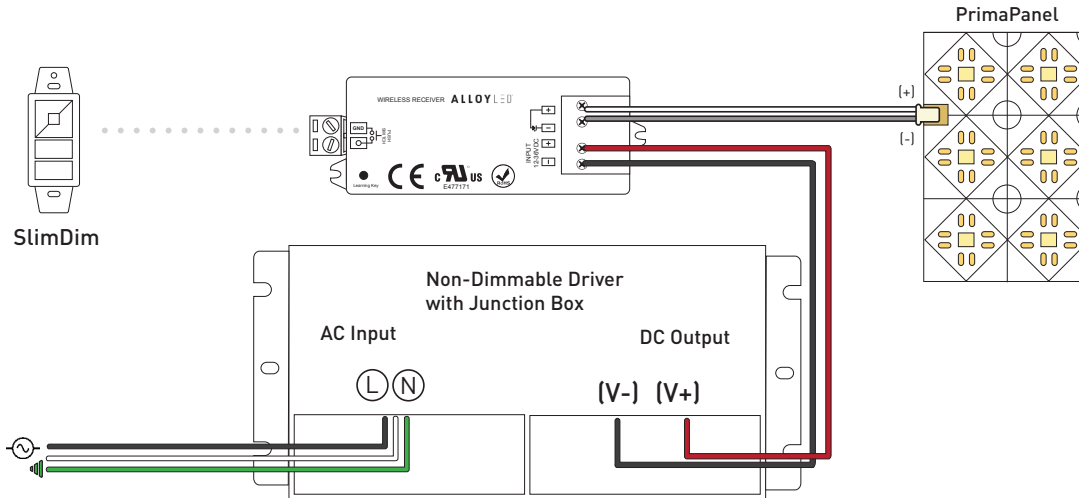
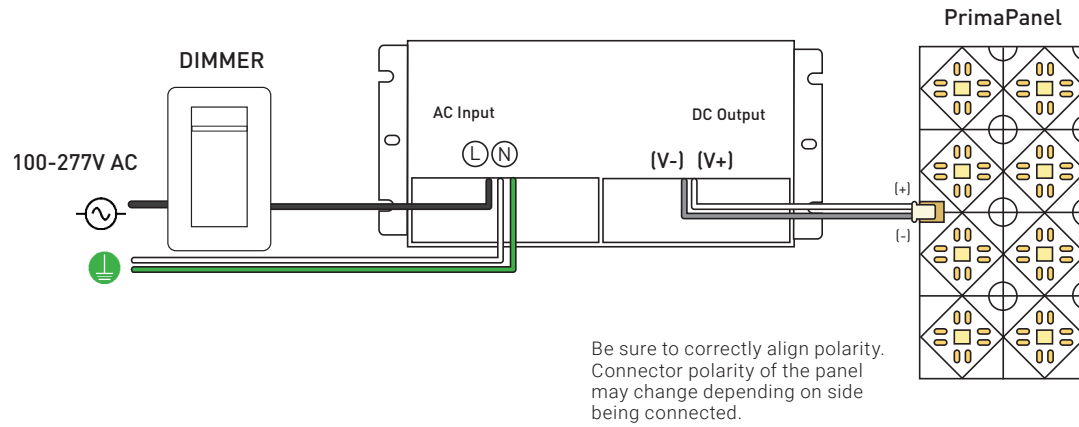


Alloy LED *recommends* that the panel be mounted at least 0.9" away from the material that is to be backlit in order to minimize the likelihood of hotspots.



PrimaPanel™ 24V Flexible and Cuttable LED Sheet

WIRING DIAGRAM



TROUBLESHOOTING

Panel does not light up:

- Make sure the DC power supply is turned on and receiving power.
- Confirm you have maintained correct polarity (+ to + and - to -) when joining panels as well as when connecting to the 24V DC power supply. If polarity is incorrect, reverse polarity at the power supply to correct the problem.
- Check all light connections and any switch or dimmer connections from the power supply to the light panels.
- Consider testing with a multimeter to ensure light is receiving 24V DC power.

Only part of the panel is lit:

- Check connections to the part of the sheet that is not lit.
- Confirm you have maintained correct polarity (+ to + and - to -) when joining lights as well as when connecting to the 24V DC power supply.

Lights blink on, then go off:

- Your power supply is not adequate for the length of lights you are powering. Install a higher wattage power supply or reduce watts used by shortening the lengths of your panels.

LEDs farthest from the power supply are noticeably dimmer:

- This is the result of voltage drop. Decrease the length of the 24V DC power feed wires or use thicker power feed wires between the 24V DC power supply and the lighting.
- Use shorter lengths of lights.